

Eicher Pro 5040
The 40.2 Ton GCW Tractor

TRUCKS

MOVE AHEAD!



PARTNERSHIP WITH THE VOLVO GROUP

Two leading players in the commercial vehicle business joined hands in 2008 with a convergent vision of driving modernization in commercial transportation. Volvo Group, the world's leading manufacturer of trucks, buses, construction equipment and marine & industrial engines, bought its global expertise and world-class technology, while Eicher Motors brought its frugal engineering and deep knowledge of the developing markets.

The mission of this joint venture: VE Commercial Vehicles Ltd. is raising the standard of the commercial transportation industry and taking it to new professional level.



Leader in commercial transportation

Frugal engineering and operation

Aftersales infrastructure

Cost-effective operations

VOLVO

VOLVO GROUP

Global expertise

Leadership in product technology

Well-defined processes and controls

Brand image



GLOBAL TECHNOLOGY MEETS FRUGAL ENGINEERING

The completely new chassis and assembly line have been built to balance high technology with frugal engineering. The state-of-the-art manufacturing process which includes a robotic cab weld shop, CED paint shop and 100% hot test facility, ensures quality and reliability of international standards.

GLOBAL STANDARD MANUFACTURING PLANT

The Eicher Pro series has been designed and developed in a modern and high-tech manufacturing facility in Pithampur, near Indore.

The next-generation engine plant, built in collaboration with the Volvo Group, not only manufactures Euro III and IV heavy-duty engines but also supplies Euro VI engines internationally to the Volvo Group.



EICHER PRO 5000 SERIES

Eicher Pro 5000 series is a new range of highly durable and reliable BSIII trucks from 16T to 40T GVW which caters to the needs of the growing commercial vehicle industry across different segments. These trucks are designed to deliver best-in-class fuel efficiency, optimised operational cost, leading to quick returns on investment.



Best-in-class Fuel Efficiency



Enhanced Reliability and Durability



Low-Maintenance Cost



Lifetime Support Solutions



Higher Payload

KEY FEATURES



- Modern and spacious cabin with state-of-the-art features
- 6-way adjustable driver seat for comfortable drives
- CED painted cabin with high-gloss life
- Fans in cabin for driver and co-driver comfort
- Dual footstep with grab handle for easy climbing
- Refreshed dashboard with lockable and open storage spaces and 3 din system
- Tilt and telescopic power steering



Instrument cluster with LCD display

OTHER FEATURES



- World-class Cummins engine with 180 HP & 685 mm torque
- Enhanced reliability
- Better pickup & faster turnaround time



- Globally-preferred Meritor axle
- Enhanced durability & reliability

ET80 transmission



- CLUTCH
- 380 mm dia Clutch with booster to transmit higher engine power and torque

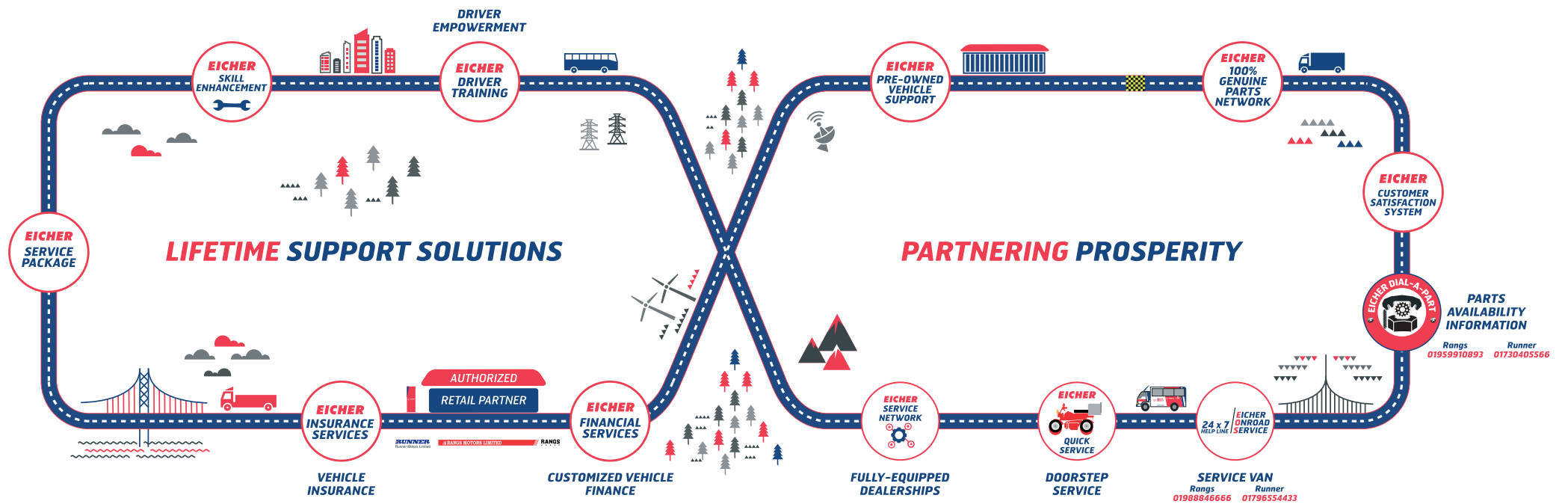


Move ahead in your trucking business with Eicher Pro 5040 having competitive fuel efficiency backed by Volvo Group's expertise, Eicher enhanced lifetime support solutions and a contemporary cabin for superior ride comfort to boost driver efficiency. Move ahead with Eicher, Move ahead for more.



LIFETIME SUPPORT SOLUTIONS

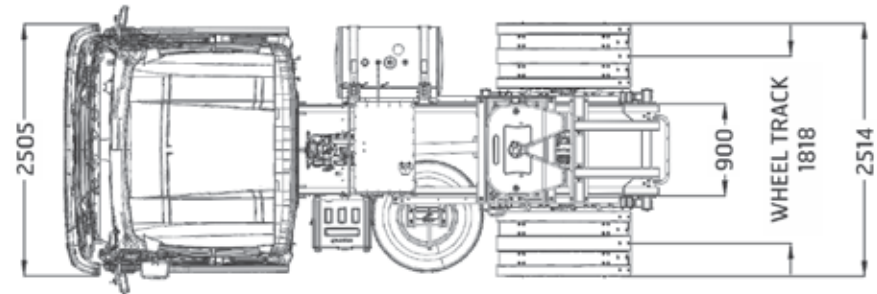
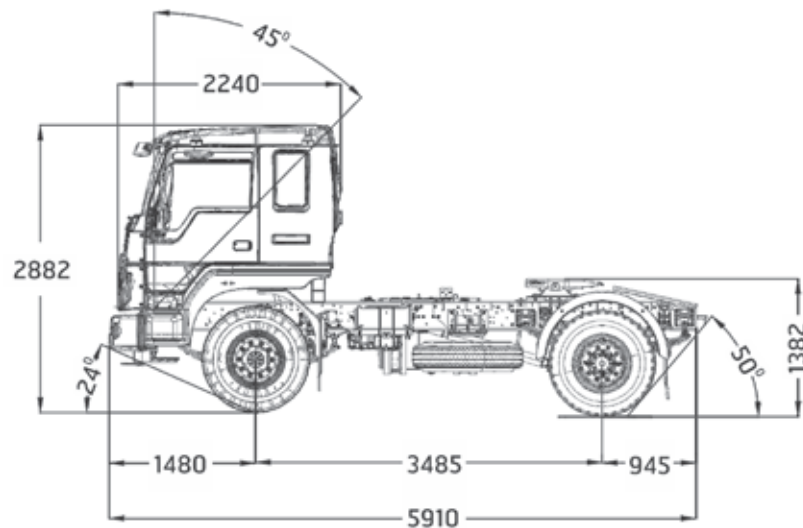
PARTNERING PROSPERITY



TECHNICAL SPECIFICATIONS

SPECIFICATIONS	Eicher Pro 5040
GCW	40200 kgs
Max. Power	180 Hp @ 2500 rpm
Max. Torque	685 Nm @ 1500 rpm
Clutch type	Hydraulically Actuated
Clutch dia.	380 mm with Booster
Gear Box	ET80S6 (6 Forward + 1 Reverse)
Front Axle	Reverse Elliot Type I Beam
Rear Axle	Meritor Axle
Chassis Type	Rolled C-Channel Straight Frame, 285 x 76 x 6 mm
Brakes	Dual circuit, Full S-cam Air
Suspension Front	Semi-elliptic Leaf Spring with Hyd. type Double acting Telescopic FR Shock Absorber
Suspension Rear	Semi-elliptic Leaf Spring with Helper Suspension
Steering	Hydraulic Power Steering

Gradeability	18%
Max Speed	70 kmph
Fuel Tank	415 L
Electrical	24V
Battery	120 Ah
Tyres	Front: Std. 10R20-16PR (Rib Pattern) Rear & Spare: Std. 10R20-16PR (Lug Pattern)
Wheel Rim Size	Rim: 7.5x20
Variants	CBC
Wheelbase (mm)	3485
FOH	1480
ROH	945
OAL	5910





Sale query

01730 406484



Easy spare parts availability

01730 405566



Eicher mobile service van

01796 554433

EICHER TRUCKS AND BUSES

VE Commercial Vehicles Ltd.
#96, Institutional Area,
3rd Floor, Sector 32
Gurgaon-122001, Haryana.

VE COMMERCIAL VEHICLES
A VOLVO GROUP AND EICHER MOTORS JOINT VENTURE

Authorized Distributor:

RUNNER
motors limited

138/1, Tejgaon I/A, Dhaka-1208, Bangladesh
E mail: rmlsales@runnerbd.com; Web: www.runnerbd.com/motors